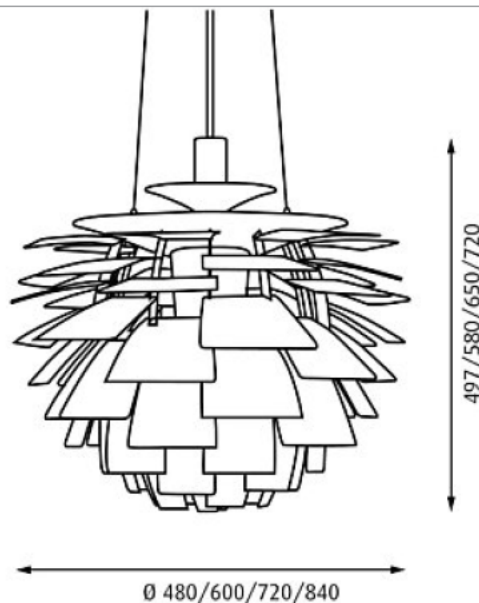


PH Artichoke



Design: Poul Henningsen

Concept: The fixture provides 100% glare-free light. The 72 precisely positioned leaves form 12 unique rows of six leaves each. They illuminate the fixture as well as emitting diffused light with a unique pattern. The fixture provides decorative and comfortable lighting.

Finish: Copper or stainless steel, brushed and coated. White, wet painted.

Material: Leaves: Punched copper, laser cut stainless steel or punched steel. Top shade: White, spun steel. Frame: High lustre chrome plated, laser cut steel. Suspension: High lustre chrome plated, spun aluminium.

Mounting: Suspension type: Cable 3x0,75mm² & wire. Canopy: Yes. Cable length: 4m.

Weight: Max. 22.5kg.

Class: Ingress protection IP20. Electric shock protection I w. ground.

Product code	Dimensions	Light source	Finish	Cable type
PHA-P	Ø 480 Ø 600 Ø 720 Ø 840	1x70W HIT G12 HF 1x150W HIT G12 HF 1x200W Clear E27 1x500W Clear E40 1x230W HALOLUX E27	COP STAINL STEEL WHT	WHT TEX/WIRE

150W HIT is only available in Ø 720 or Ø 840. 500W E40 and 70W HIT is only available in Ø 600. Ø 720 or Ø 840. 200W E27 is only available in Ø 480. The innovation of light sources is ongoing. Consequently we only inform about the max. wattages. On www.louispuulsen.com we update a list of recommendable light sources.

**louis
puulsen**

